

MM54C914/MM74C914 Hex Schmitt Trigger with Extended Input Voltage

General Description

The MM54C914/MM74C914 is a monolithic CMOS Hex Schmitt trigger with special input protection scheme. This scheme allows the input voltage levels to exceed V_{CC} or ground by at least 10V ($V_{CC} - 25V$ to $GND + 25V$), and is valuable for applications involving voltage level shifting or mismatched power supplies.

The positive and negative-going threshold voltages, V_{T+} and V_{T-} , show low variation with respect to temperature (typ 0.0005V/°C at $V_{CC} = 10V$). And the hysteresis, $V_{T+} - V_{T-} \geq 0.2 V_{CC}$ is guaranteed.

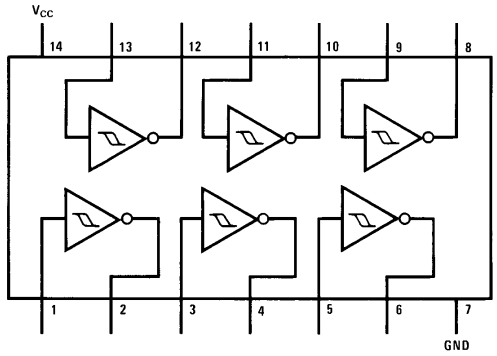
Features

- Hysteresis
- Special input protection
- Wide supply voltage range
- High noise immunity
- Low power TTL compatibility

0.45 V_{CC} (typ.)
 0.2 V_{CC} guaranteed
 Extended Input Voltage Range
 3V to 15V
 0.7 V_{CC} (typ.)
 Fan out of 2 driving 74L

Connection Diagram

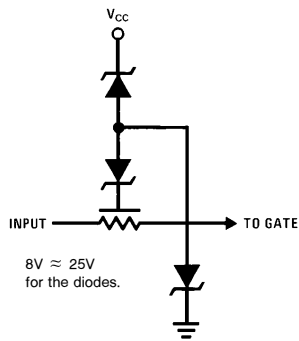
Dual-In-Line Package



Top View

Order Number MM54C914 or MM74C914

Special Input Protection



TL/F/5917-2

MM54C914/MM74C914 Hex Schmitt Trigger with Extended Input Voltage

Absolute Maximum Ratings (Note 1)

If Military/Aerospace specified devices are required, please contact the National Semiconductor Sales Office/Distributors for availability and specifications.

Voltage at any Input Pin	$V_{CC} - 25V$ to GND + 25V
Voltage at any other Pin	-0.3V to $V_{CC} + 0.3V$
Operating Temperature Range (T_A)	
MM54C914	-55°C to +125°C
MM74C914	-40°C to +85°C

Storage Temperature Range (T_S)	-65°C to +150°C
Power Dissipation	
Dual-In-Line	700 mW
Small Outline	500 mW
Operating V_{CC} Range	3V to 15V
Absolute Maximum (V_{CC})	18V
Lead Temperature (T_L)	
(Soldering, 10 seconds)	300°C

DC Electrical Characteristics Min/Max limits apply across temperature range unless otherwise noted

Symbol	Parameter	Conditions	Min	Typ	Max	Units
CMOS TO CMOS						
V_{T+}	Positive Going Threshold Voltage	$V_{CC} = 5V$ $V_{CC} = 10V$ $V_{CC} = 15V$	3.0 6.0 9.0	3.6 6.8 10	4.3 8.6 12.9	V V V
V_{T-}	Negative Going Threshold Voltage	$V_{CC} = 5V$ $V_{CC} = 10V$ $V_{CC} = 15V$	0.7 1.4 2.1	1.4 3.2 5	2.0 4.0 6.0	V V V
$V_{T+} - V_{T-}$	Hysteresis	$V_{CC} = 5V$ $V_{CC} = 10V$ $V_{CC} = 15V$	1.0 2.0 3.0	2.2 3.6 5	3.6 7.2 10.8	V V V
$V_{OUT(1)}$	Logical "1" Output Voltage	$V_{CC} = 5V, I_O = -10 \mu A$ $V_{CC} = 10V, I_O = -10 \mu A$	4.5 9.0			V V
$V_{OUT(0)}$	Logical "0" Output Voltage	$V_{CC} = 5V, I_O = +10 \mu A$ $V_{CC} = 10V, I_O = +10 \mu A$			0.5 1.0	V V
$I_{IN(1)}$	Logical "1" Input Current	$V_{CC} = 15V, V_{IN} = 25V$		0.005	5.0	μA
$I_{IN(0)}$	Logical "0" Input Current	$V_{CC} = 15V, V_{IN} = -10V$	-100	-0.005		μA
I_{CC}	Supply Current	$V_{CC} = 15V, V_{IN} = -10V/25V$ $V_{CC} = 5V, V_{IN} = -2.5V$ (Note 4) $V_{CC} = 10V, V_{IN} = 5V$ (Note 4) $V_{CC} = 15V, V_{IN} = 7.5V$ (Note 4)		0.05 20 200 600	300	μA μA μA μA
CMOS/LPTTL INTERFACE						
$V_{IN(1)}$	Logical "1" Input Voltage	$V_{CC} = 5V$	4.3			V
$V_{IN(0)}$	Logical "0" Input Voltage	$V_{CC} = 5V$			0.7	V
$V_{OUT(1)}$	Logical "1" Output Voltage	54C, $V_{CC} = 4.5V, I_O = -360 \mu A$ 74C, $V_{CC} = 4.75V, I_O = -360 \mu A$	2.4 2.4			V V
$V_{OUT(0)}$	Logical "0" Output Voltage	54C, $V_{CC} = 4.5V, I_O = 360 \mu A$ 74C, $V_{CC} = 4.75V, I_O = 360 \mu A$			0.4 0.4	V V
OUTPUT DRIVE (See 54C/74C Family Characteristics Data Sheet) (Short Circuit Current)						
I_{SOURCE}	Output Source Current (P-Channel)	$V_{CC} = 5V, V_{OUT} = 0V, T_A = 25^\circ C$	-1.75	-3.3		mA
I_{SOURCE}	Output Source Current (P-Channel)	$V_{CC} = 10V, V_{OUT} = 0V, T_A = 25^\circ C$	-8.0	-15		mA
I_{SINK}	Output Sink Current (N-Channel)	$V_{CC} = 5V, V_{OUT} = V_{CC}, T_A = 25^\circ C$	1.75	3.6		mA
I_{SINK}	Output Sink Current (N-Channel)	$V_{CC} = 10V, V_{OUT} = V_{CC}, T_A = 25^\circ C$	8.0	16		mA

AC Electrical Characteristics* $T_A = 25^\circ\text{C}$, $C_L = 50\text{ pF}$, unless otherwise specified

Symbol	Parameter	Conditions	Min	Typ	Max	Units
t_{PHL} , t_{PLH}	Propagation Delay from Input to Output	$V_{CC} = 5\text{V}$		220	400	ns
		$V_{CC} = 10\text{V}$		80	200	ns
C_{IN}	Input Capacitance	Any Input (Note 2)		5		pF
C_{PD}	Power Dissipation Capacitance	(Note 3) Per Gate		20		pF

*AC Parameters are guaranteed by DC correlated testing.

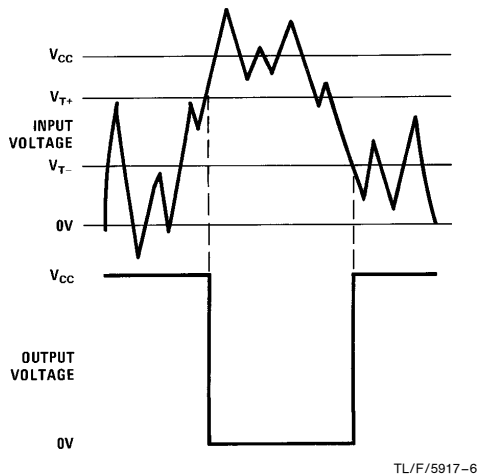
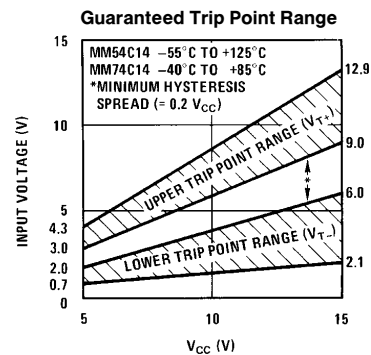
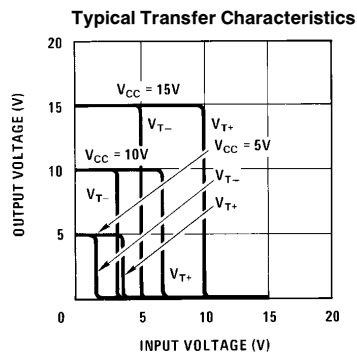
Note 1: "Absolute Maximum Ratings" are those values beyond which the safety of the device cannot be guaranteed. Except for "Operating Temperature Range", they are not meant to imply that the devices should be operated at these limits. The table of "Electrical Characteristics" provides conditions for actual device operation.

Note 2: Capacitance is guaranteed by periodic testing.

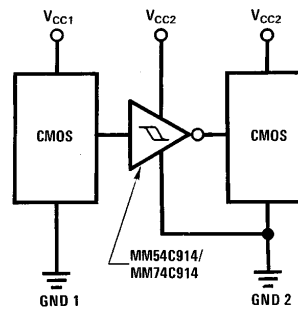
Note 3: C_{PD} determines the no load AC power consumption of any CMOS device. For complete explanation see 54C/74C Family Characteristics Application Note, AN-90.

Note 4: Only one input is at $\frac{1}{2} V_{CC}$, the others are either at V_{CC} or GND.

Typical Performance Characteristics

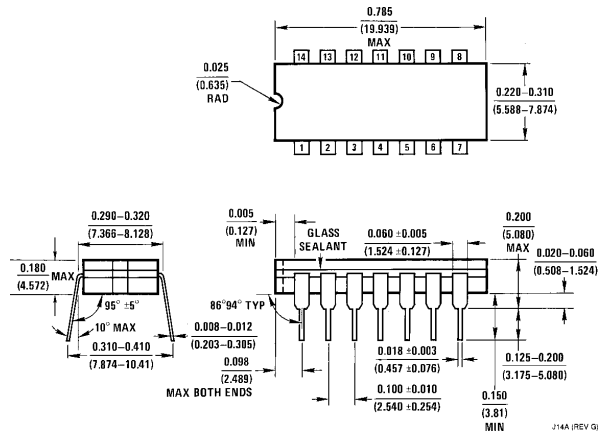


Typical Application

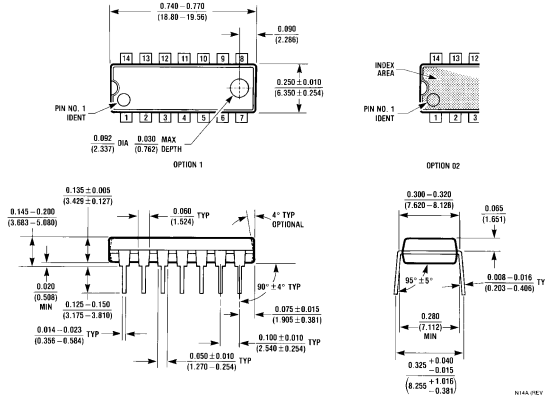


Note: $V_{CC1} = V_{CC2}$
 $GND1 = GND2$

Physical Dimensions inches (millimeters)



Ceramic Dual-In-Line Package (J)
Order Number MM54C914J or MM74C914J
NS Package Number J14A



Molded Dual-In-Line Package (N)
Order Number MM54C914N or MM74C914N
NS Package Number N14A

LIFE SUPPORT POLICY

NATIONAL'S PRODUCTS ARE NOT AUTHORIZED FOR USE AS CRITICAL COMPONENTS IN LIFE SUPPORT DEVICES OR SYSTEMS WITHOUT THE EXPRESS WRITTEN APPROVAL OF THE PRESIDENT OF NATIONAL SEMICONDUCTOR CORPORATION. As used herein:

1. Life support devices or systems are devices or systems which, (a) are intended for surgical implant into the body, or (b) support or sustain life, and whose failure to perform, when properly used in accordance with instructions for use provided in the labeling, can be reasonably expected to result in a significant injury to the user.
2. A critical component is any component of a life support device or system whose failure to perform can be reasonably expected to cause the failure of the life support device or system, or to affect its safety or effectiveness.



National Semiconductor Corporation
 1111 West Bardin Road
 Arlington, TX 76017
 Tel: 1(800) 272-9959
 Fax: 1(800) 737-7018

National Semiconductor Europe
 Fax: (+49) 0-180-530 85 86
 Email: cnjwge@tevm2.nsc.com
 Deutsch Tel: (+49) 0-180-530 85 85
 English Tel: (+49) 0-180-532 78 32
 Français Tel: (+49) 0-180-532 93 58
 Italiano Tel: (+49) 0-180-534 16 80

National Semiconductor Hong Kong Ltd.
 19th Floor, Straight Block,
 Ocean Centre, 5 Canton Rd.
 Tsimshatsui, Kowloon
 Hong Kong
 Tel: (852) 2737-1600
 Fax: (852) 2736-9960

National Semiconductor Japan Ltd.
 Tel: 81-043-299-2309
 Fax: 81-043-299-2408

National does not assume any responsibility for use of any circuitry described, no circuit patent licenses are implied and National reserves the right at any time without notice to change said circuitry and specifications.

This datasheet has been download from:

www.datasheetcatalog.com

Datasheets for electronics components.